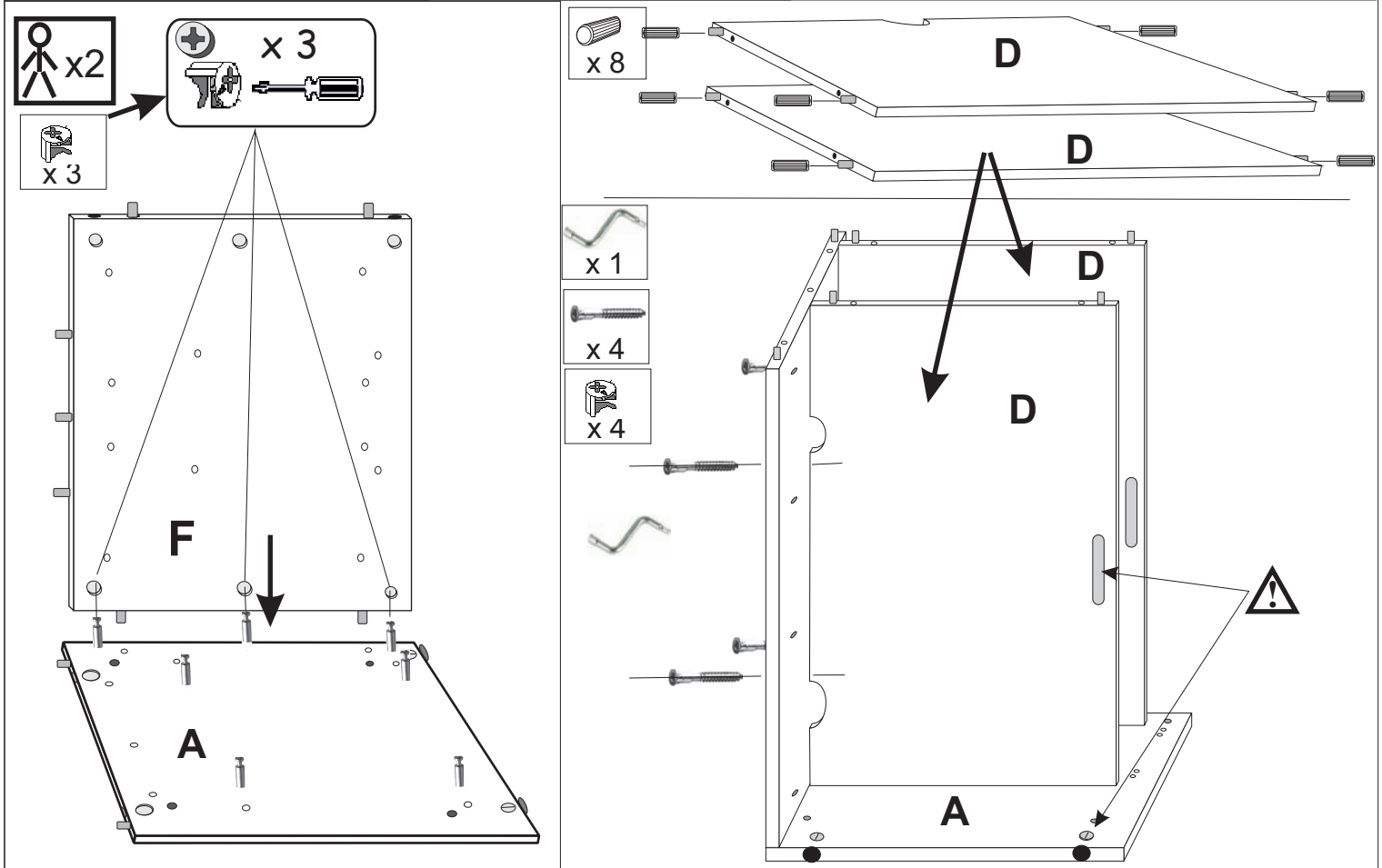
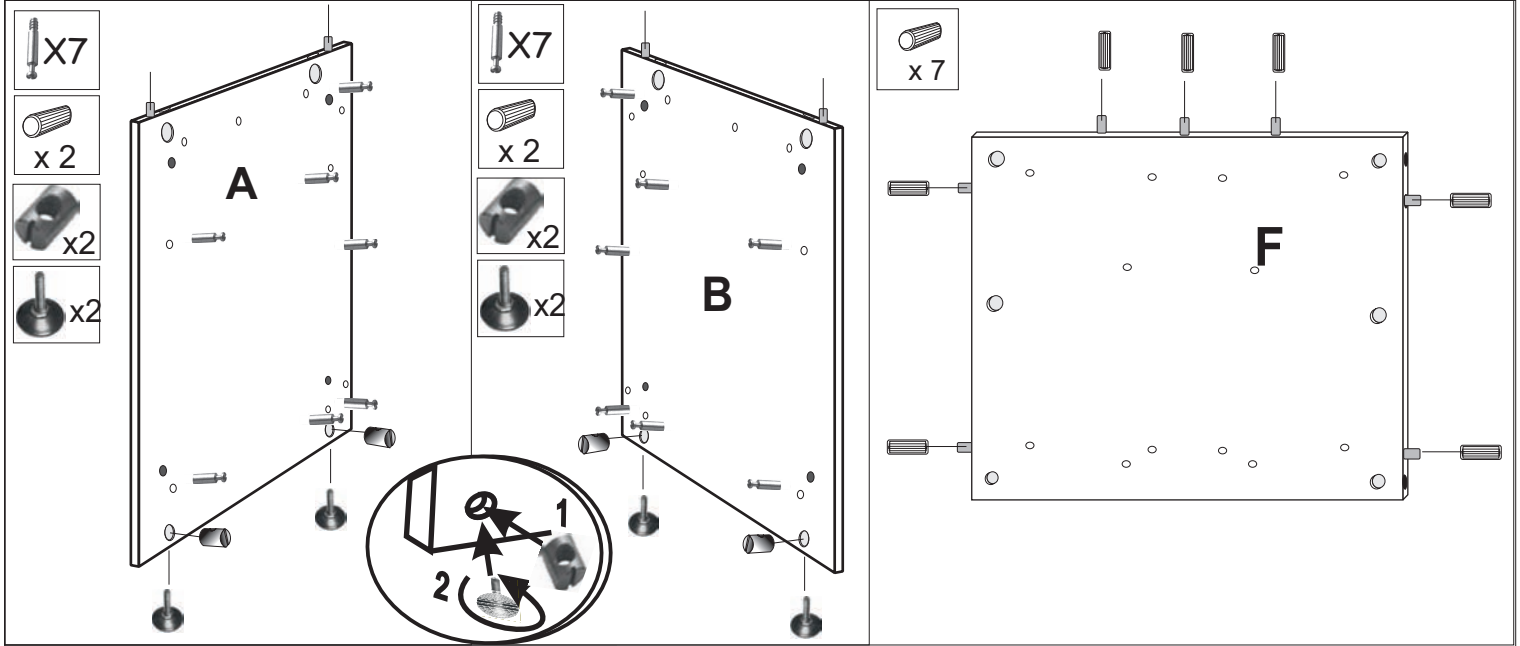
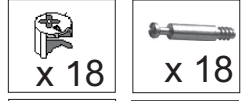
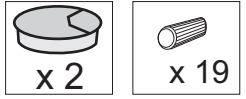
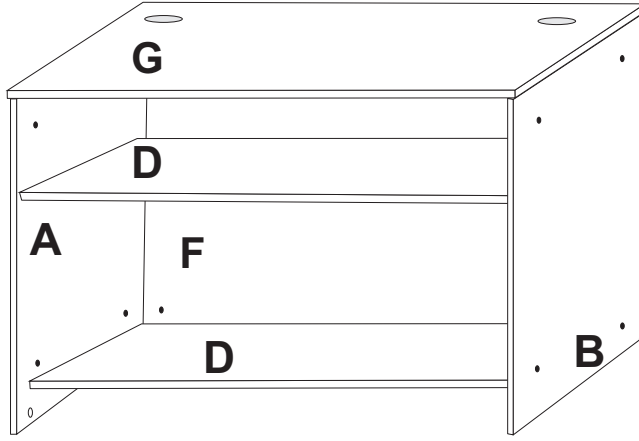
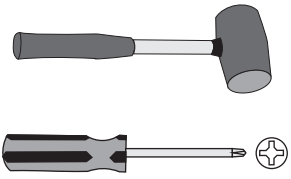


BOUTIQUE

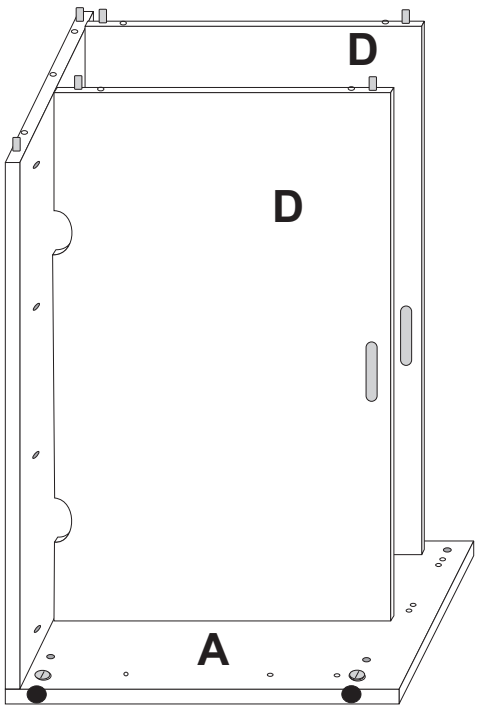
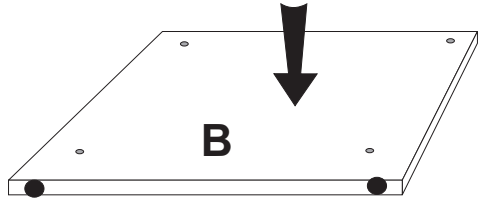
Caisson DUO

REF: 105274
105421

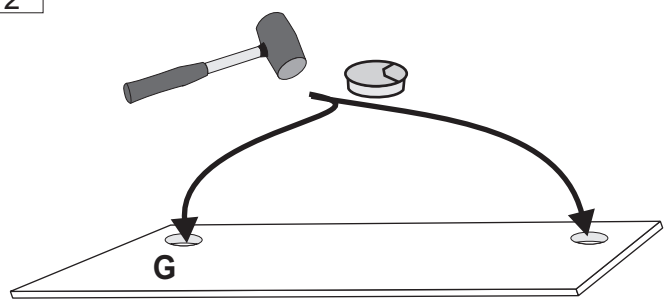




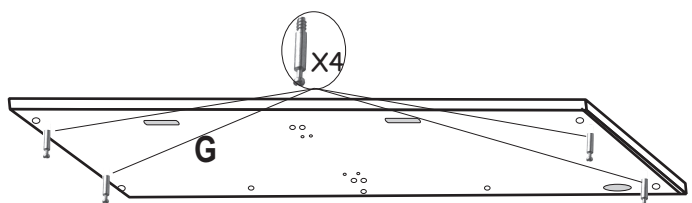
x 7



x 2



x 4



x 4

